

ZOOMLION TELESCOPIC BOOM LIFT ZT42J

Comply with CE Standard

FEATURES

Standard Features

Horn
Proportional control
All motion alarm
Flashing beacon
Self-closing entry gate
Emergency descent system
Emergency stop button
Auto-leveling system
On-board diagnostic system
Tilt protection system
Oscillating axle
Load sensing system
4.3' Led display
Swing-out engine tray

Accessories & Options

- ▶ Platform work light
- ▶ Anti-collision device
- ▶ AC power to platform
- ▶ Outrigger in-situ telescopic function

HIGHLIGHTS

- ▶ Perform dual capacity design, up to 300/454kg (660/1000lb)
- ▶ Rough terrain chassis features swing axle function, easy to achieve 45% gradeability
- ▶ Creative outrigger telescopic method; strong field applicability, low telescopic failure rate, and effective prevention of abnormal tire wear (option)
- ▶ Smooth & stable boom extension, the telescopic efficiency of the boom is increased by 30% compared with that of the double-cylinder telescopic boom
- ▶ Better work envelop performance, 10% larger than competitor
- ▶ R-shaped slider and U-shaped channel steel design at the bottom of the boom, effectively reducing the lateral deflection of the boom
- ▶ U-shaped boom design effectively reduces the weight of the boom and deflection, and provides better machine stability
- ▶ Jib rotary function provides larger working range and more flexible motion
- ▶ Swing-out engine tray



ACCESS WITH ZOOMLION GREEN

Phone: 0086(731)-88353680 0086(731)-88250971
E-mail: awm@zoomlion.com

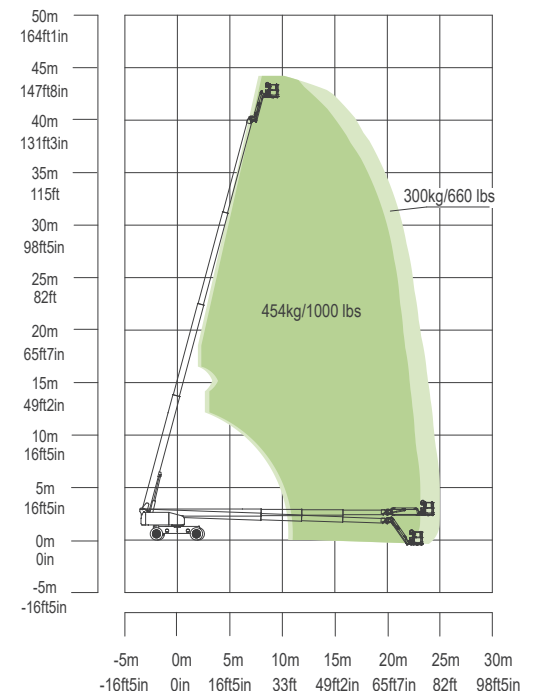
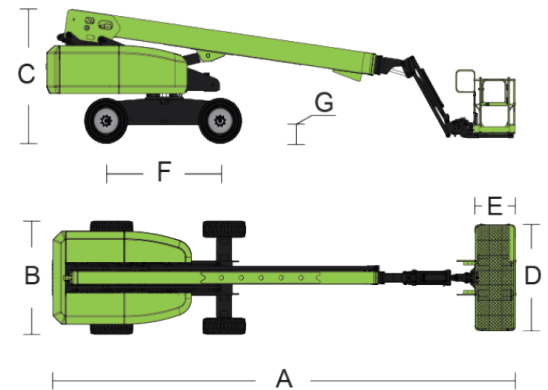
Add: ZOOMLION Wangcheng Industrial Park, Tengfei Road 997, Changsha, Hunan, China
Web: www.en.zoomlion.com

TELESCOPIC BOOM LIFT

ZT42J

Comply with CE Standard

Model	ZT42J	
	Imperial	Metric
Size		
Work Height	144ft 7in	44.08m
Platform Height	138ft 1in	42.08m
Horizontal Outreach	82ft	25m
A - Stowed Length	42ft 8in	13m
B - Stowed Width	8ft 2in	2.49m
C - Stowed Height	9ft 10in	3m
D - Platform Length	8ft	2.44m
E - Platform Width	3ft	0.91m
F - Wheelbase	12ft 6in	3.81m
Tread	8ft 2in/12ft 8in	2.49/3.87m
G - Ground Clearance	1ft 4in	0.41m
Performance		
Platform Capacity (Unrestricted/Restricted)	660/1000lb	300/454kg
Drive Speed (Stowed)	3.1mph	5km/h
Gradeability	45% (24°)	
Turning Radius (Inside)	10ft 10in/25ft 3in	3.3/7.7m
Turning Radius (Outside)	26ft 11in/35ft 5in	8.2/10.8m
Turntable Swing	360° continuous	
Platform Rotation	±90°	
Tail Swing	5ft 6in	1.67m
Jib (Range of Articulation)	130° (-55° ~75°)	
Max. Wind Speed	28mph	12.5m/s
Power		
Engine	Cummins QSF 2.8 54kW/2400rpm (EU III) Kubota V2607 55.4kW/2700rpm (EU V)	
Fuel Tank Capacity	52.8 (us gal)	200L
Control Voltage	12V DC	
Hydraulic Tank Capacity	66 (us gal)	250L
Drive Mode	4WD	
Steering Mode	Four wheels/Front wheel/Crab	
Tire		
Type	IN445/50 D710 Foam-filled Tires	
Weight		
Gross	48722lb	22100kg



Range of Motion ZT42J