

# ZOOMLION

## ARTICULATING BOOM LIFT

### ZA32J

Comply with CE Standard



## HIGHLIGHTS

- ▶ Provide heavy lifting of 250kg /550lb load for 28% higher efficiency
- ▶ Build-in multiple pressure control leveling system to enhance stability
- ▶ Precise load sensing system to improve overload safety operations
- ▶ Compact transportation size makes it available for container
- ▶ Outstanding below ground reach of 16ft 9in



## FEATURES

### Standard Features

Horn
All motion alarm
Proportional control
Self-closing entry gate
Flashing beacon
Auto-leveling system
Emergency stop button
Over tilt protection system
Emergency descent system
On-board diagnostic system
Oscillating axle
4.3' LED display
Load sensing system
Swing-out engine tray

### Accessories & Options

- ▶ Platform work lights
- ▶ Anti-collision device
- ▶ AC power to platform



## ACCESS WITH ZOOMLION GREEN

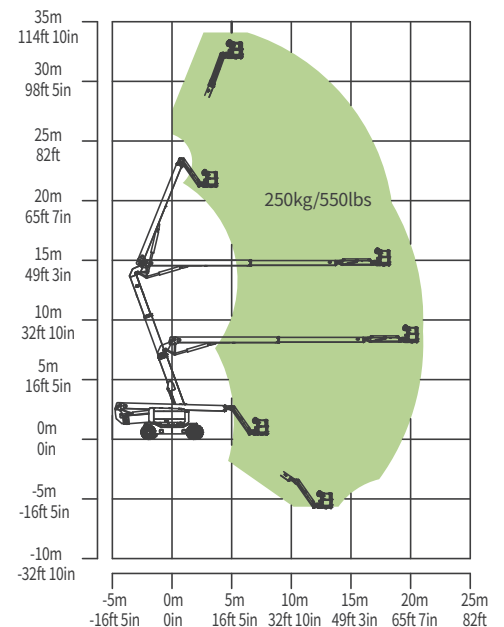
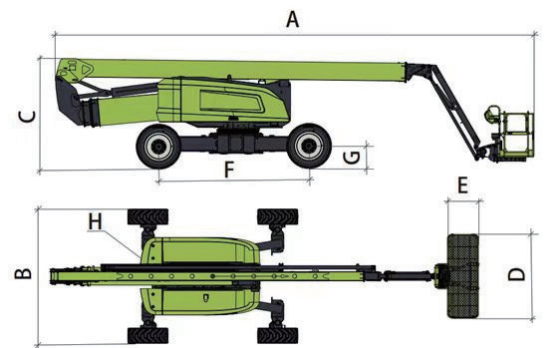
Phone: 0086(731)-88353680 0086(731)-88250971  
E-mail: awp@zoomlion.com

Add: 701 Xulong Nan Lu, Xiangjiang New District, Changsha Hunan, China  
Web: www.zoomlion-access.com

# MAIN SPECS OF ARTICULATING BOOM LIFT ZA32J

Comply with CE Standard

Model	ZA32J	
	Imperial	Metric
<b>Size</b>		
Work Height	111ft 8in	34.04m
Platform Height	105ft 6in	32.04m
Horizontal Outreach	69ft 5in	21.15m
Up and Over Height	47ft 6in	14.47m
A-Stowed Length	41ft 10in	12.75m
B-Stowed Width	8ft 2in	2.49m
C-Stowed Height	9ft 6in	2.89m
D-Platform Length	8ft	2.44m
E-Platform Width	3ft	0.91m
F-Wheelbase	12ft 6in	3.81m
G-Ground Clearance	1ft 5in	0.42m
<b>Performance</b>		
Platform Capacity	550 lb	250kg
Drive Speed	3.23 mph	5.2km/h
Gradeability	45%	45%
Turning Radius (Inside)	25ft 3in/10ft 10in	7.7/3.3m
Turning Radius (Outside)	35ft 5in/26ft 11in	10.8/8.2m
Swing	360° continuous	
Platform Rotation	±90°	
H-Tail Swing	7in	0.19m
Max. Working Slope	5°	
Max. Wind Speed	28mph	12.5m/s
<b>Power</b>		
Diesel Engine	Kubota V2607 (Eu Stage V) Kubota V3307 (China Stage III) Weichai DHN2.3 (China Stage IV)	
Fuel Tank Capacity	36.9 (us gal)	150L
Auxiliary Power	12V	
Control Voltage	12V	
Hydraulic System Capacity	63.4 (us gal)	240L
Hydraulic Tank Capacity	47.7 (us gal)	180L
<b>Tire</b>		
Type	IN445/50D710 Foam-filled Tires	
<b>Weight</b>		
Gross	43651 lb	19800kg



Range of Motion ZA32J